



# SPECIFICATION

	Industrial All In One PC LCD Monitor
MODEL	TSPC
PRODUCT MODEL NAME	TSPC-W1561-PCT
CUSTOMER	
DATE	2020-03-22

APPROVED BY TOUCH AND DISPLAYS CO.,LTD	
ENGINEER	Kyeong Min Lee
REVIEWER	
CONFIRMED	



## Key Feature

The overall use of flat aluminum alloy panel, fanless fully enclosed integrated design. Meet the requirements of different equipment in different environments. It is widely used in industrial control, military, communication, power, network, intelligent self-service terminal equipment and other automation applications.

- 3mm Super Thin Front Bezel, Best for Embedded Cabinet.
- Pure flat panel IP65 dust-proof and waterproof.
- High precision aluminum alloy material.
- Self developed fanless industrial motherboard, with a variety of options.
- Dual gigabit adaptive Ethernet ports for faster transmission.
- Industrial protection, applicable to various harsh environments.
- Supporting 12V-36V wide voltage power supply

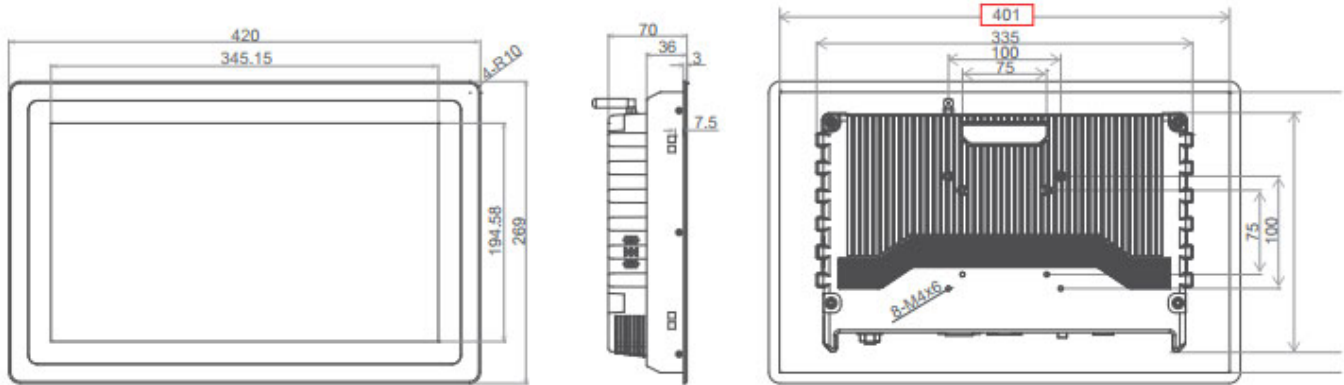
ITEMS	SPECIFICATION	
LCD	Size	15.6" TFT LCD, LED Back light
	Active Area(mm)	345.15mm(H) x194.58mm(V)
	Resolution	1920X1080@60Hz
	Contrast Ratio	800:1(Typ)
	Display Color	16.7K
	Response Time	8ms(Typ)
	Brightness(cd/m2)	300cd/m2
	Viewing Angle(L/R/U/D)	85'/85'/85'/85'
	Operating Temperature	-10'~60'C
	Storage Temperature	-20~70'C
TOUCH SCREEN	Touch Screen Type	10 point Projective Capacitive Touch Screen
	Light Transmittance	≥88%
	Input Mode	Handwriting or capacitive pen
	Controller Communication	USB

**DQ : TDS200322-J01**

Hardware Configuration	CPU	I5-10210U
	CPU frequency	1.6GHz
	Integrate graphics	Intel UHD620 Graphics
	RAM	8G DDR4(Optional 16G/32G/64G)
	Storage	128G SSD(Optional 256/512G)
	Bluetooth	BT4.0(optional)
	WiFi	2.4GHz/ 5GHz dual bands
	OS	Window7/10/11: Ununtu 16.04.7/8.04.3; Centos 7.6/7.8
	Other support	Support RTC real -time clock and timing switch
Power parameters		DC12V-36V
Static Power		18W
Interface	DC	1*DC2.5
	HDMI	1*HDMI, Support HDMI data output, maximum support 1080
	USB	2*USB 2.0 2*USB 3.0
	LAN	2*LAN,Dual 1000M adaptive Ethernet
	AUDIO	1*Audio I/O,Support audio input and output
	SIM card	Standard SIM card interface, supporting various standards (depending on 3G/4G module)
	VGA	1*VGA
	RS232	2*RS232(Optional RS485,RS422,GPIO)
	POWER	1*POWER
	Industrial Terminal	1*Industrial terminal

DQ : TDS200322-J01

## MECHANICAL DRAWING



### NOTE

1. This is a simplified drawing, and some components are not marked in detail.
2. Please contact our sales representative if you need further product information.
3. All specifications are subject to change without prior notice.
4. The product shown in this datasheet is a standard model. For diagrams that contain customized or optional I/O, please contact our Team(TDS) for more information.